



## LT200M RETRO-REFLECTIVE LASER BARRIER



- **Visible Retro-Reflective Laser Thru-Beam Barrier**
- **>20 Meter Range**
- **Detects Hot or Cold Product**
- **Operates off a prism reflector detecting as small as 6mm C.S.A. product**
- **Edge Resolution of 3 mm per Meter**
- **IR Filtering enables use in furnace entry door**
- **Class 2 Laser Visible Laser Light**
- **Continuous Self-Check with LED Indication of contaminated lens.**
- **Robust cast aluminum housing rated IP66 with unique combined air purge & cooling**

### Typical Applications

<b>Furnace Door Monitoring</b>	For prevention of product collision with furnace door.
<b>Photo-Switch Replacement</b>	Highly reliable retro-reflective through beam sensor.
<b>Metals Industry</b>	Detection of Hot and Cold Product

### General Description

The LT200M Retro-Reflect Laser Barrier operates over a substantial range enabling precise detection of hot or cold product in difficult areas.

The LT200M Retro-Reflect Laser Barrier is a robust sensor especially suited for precise detection and measurement of narrow profile product. Utilizing modulated laser beam with IR filtering enables precise detection of both cold and hot product.

Straightforward alignment is easily accomplished via the visible red Class II laser beam. Continuous self-check facility with LED indication of reflector contamination or poor signal return.

The LT200M is supplied with an 8A/250VAC SPNO/SPNC Form C output relay, and NPN & PNP 500mA transistor outputs.

The LT200M aluminum housing is supplied with built-in air coolant chamber venting as air purge. Standard operating temperature without air cooling is 40°C and with air cooling is 60°C. Optional water cooling is available for an operating temperature up to 70°C.

Several reflectors designs are available with temperature ratings from 70°C up to 240°C. Optional air purged and air cooled reflectors are also available.

The LT200M provides highly accurate detection over the whole range as a result of linear laser beam.

## MODULOC<sup>®</sup> Technology - The Total Laser Solution

### MODULOC<sup>®</sup> Control Systems Ltd.

Wheathampstead, Hertfordshire, AL4 8SB United Kingdom  
Phone: +44 (0)845 8736501 FAX: +44 (0)1582 831980  
E-Mail: sales@moduloc-intl.com Website: www.moduloc-intl.com

### MODULOC<sup>®</sup> Control Systems, Inc.

2808 Broadway Blvd. - Suite 201B, Monroeville, PA 15146 USA  
Phone: 412-824-1260 FAX: 412-824-8890  
E-Mail: sales@moduloc-usa.com Website: www.moduloc-usa.com

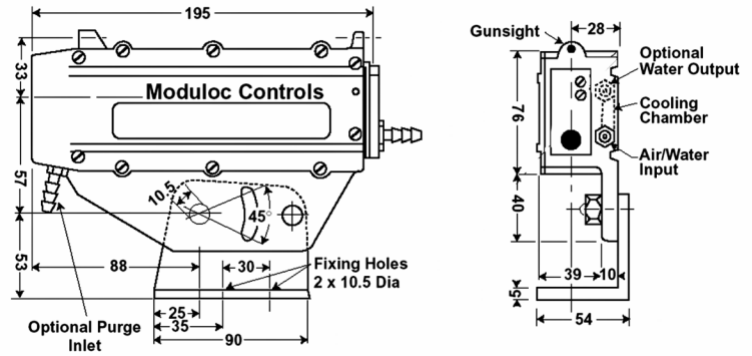
## Housing Specifications

**Housing:** Aluminum AL6, Oven baked blue paint  
**Housing Rating:** IEC IP66, DIN 89011  
**Weight w/o Cable:** 1.9 Kg  
**Connector:** IP65 Plug/Socket  
**Cable Length:** 1.5 M  
**Cooling: Standard:** -A Air Cooled & Air Purged  
**Optional:** -D Water Cooled & Air Purged

## Air & Optional Water Specifications

**Air Pressure:** 1 cu ft./min at 5 psi for normal conditions  
 5 cu ft./min at 15 psi for severe conditions  
**Water Pressure:** 5 to 10 PSI  
**Water Volume:** Regulate between 0.2 - 0.3 liters/min.  
**Water Temp.:** For Ambient Temperature up to 70°C use ambient water below 20°C

## LT200M Dimensions



## General Specifications

Operating range	Greater than 20 meters using special reflector	Supply Voltage	24 VDC ±20%
Edge Accuracy	3 mm per meter divergence	Power Consumption	1 Watt
Edge Resolution	± 1mm + divergence	Operating Temperature	-10°C - +40°C without air cooling
Response time	0.05 msec on/off (10 msec lock between edges)		-10°C to +60°C with air cooling
			to +70°C with (20°C ) water cooling
Laser Wavelength	Visible Red 650nm	Storage Temperature	-20°C - +70°C
Laser Classification	Safety Class II (DIN EN 60825-1)	Output (#1)	Relay Output, Form C Contact (SPNO/ SPNC) 250 VAC, 8A 20 mSec response time
Laser Power	1 mW		
Laser Divergence	0.5 mrad	Output (#2)	Switch selectable NPN & PNP Transistor Outputs, N.O., 500 mA, 45V, 2A peak
Laser Spot Diameter	0.1mm at 10M, 0.2mm at 20M		
MTTF	32,000 hrs	Function Indication	Green LED
Power Indication:	Red LED	Contamination Indication	Flashing Yellow LED



### Reflector REF-2 Air Purged & Cooled

Rating: 70°C without air cooling  
 100°C with air cooling

Terminal Connections		
Pin No.	Wire Color	Function
1	Red	+ 24VDC Supply
2	Black	0VDC Supply
3	Green/Yellow	Shield/Ground
4	Orange	N.C. Relay Output
5	White	Relay Common Output
6	Grey	N.O. Relay Output
7	Yellow	PNP Transistor Output
8	Violet	NPN Transistor Output

## MODULOC® Technology - The Total Laser Solution

**MODULOC®**  
 Control Systems

We reserve the right to alter specifications without prior notice. Specifications without tolerances are typical values.

Your Local Sales Representative:



Bul. MC-LT200M-006-01  
 January 2006