

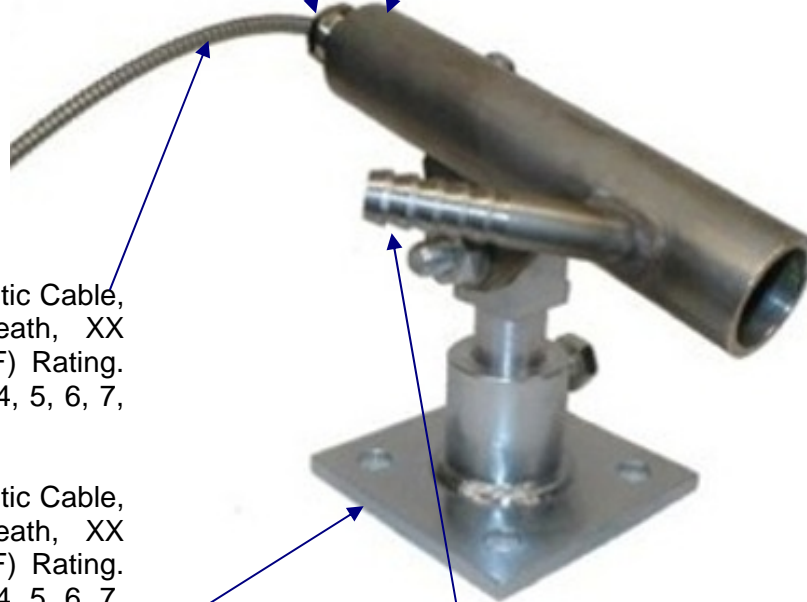


MD9000 REMOTE HOT METAL DETECTOR SPOT LENS & LENS HOLDER

Optic Spot Lens, 25mm Diameter Stainless Steel Housing:

- Part No. F2, 2° F.O.V., 180°C (356°F) Rating.
- Part No. F4, 4° F.O.V., 180°C (356°F) Rating.
- Part No. F7, 7° F.O.V., 180°C (356°F) Rating.
- Part No. H2, 2° F.O.V., 400°C (752°F) Rating.
- Part No. H4, 2° F.O.V., 400°C (752°F) Rating.
- Part No. H7, 2° F.O.V., 400°C (752°F) Rating.

Part No. PST-07 Purged Lens Holder, Stainless Steel, provides air purging. For use with F2, F4, F7, H2, H4 & H7 Optic Spot lenses.



Part No. LG-XX-AB Fiber Optic Cable, Stainless Steel Outer Sheath, XX Meter Length, 180°C (356°F) Rating. Available in lengths of 2, 3, 4, 5, 6, 7, 8, 9 & 10 Meters.

- Or -

Part No. LG-XX-AB Fiber Optic Cable, Stainless Steel Outer Sheath, XX Meter Length, 180°C (356°F) Rating. Available in lengths of 2, 3, 4, 5, 6, 7, 8, 9 & 10 Meters.

Part No. LSS-36 Universal Swivel/Lift Mounting Stand. Provides 25 mm height adjustment, +/- 45° vertical swivel and up to 360° horizontal rotation.

3/8" Ø Air Inlet

Air Pressure Requirements:

- 1 cu ft./min at 5 PSI for normal conditions
- 5 cu ft./min at 15 PSI for severe conditions

Description: Optic Spot Lens mounted in a PST-07 Stainless Steel Air Purged Lens Holder along with a LSS-36 Universal Swivel Mounting Stand and a LG-XX-AB Fiber Optic Cable.

MODULOC[®] Technology - The Total Sensor Solution

MODULOC[®] Control Systems Ltd.

Wheatthamstead, Hertfordshire, AL4 8SB United Kingdom
Phone: +44 (0)1727 821313 FAX: +44 (0)1727 826804
E-Mail: sales@moduloc-intl.com Website: www.moduloc-intl.com

MODULOC[®] Control Systems, Inc.

2808 Broadway Blvd. - Suite 201B, Monroeville, PA 15146 USA
Phone: 412-824-1260 FAX: 412-824-8890
E-Mail: sales@moduloc-usa.com Website: www.moduloc-usa.com